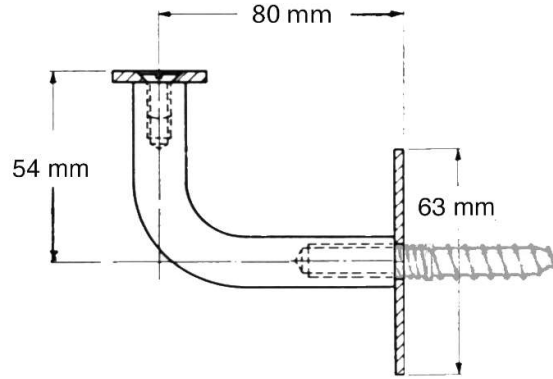


# HANDRAIL BRACKETS

TESTED TO LIVE LOAD STANDARD AS 1170.1 2002



## **TC 100** HANDRAIL BRACKET CONCEALED WALL FIXING



Curved or Flat Top Plates Available

### STANDARD FINISHES:

- SATIN CHROME
- MATT BLACK
- BRIGHT CHROME
- SATIN WHITE
- STAINLESS STEEL (303/304G)
- ZINC PLATED
- BRUSHED BRASS PLATED

### VARIATIONS:



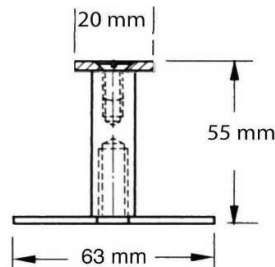
SHORTER STAINLESS STEEL BRACKET - OFFSET ~69MM



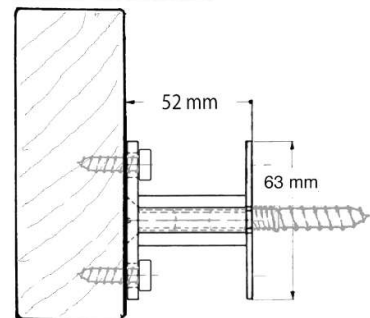
SQUARE WALL DISC

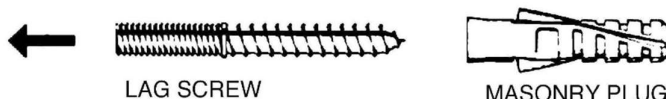
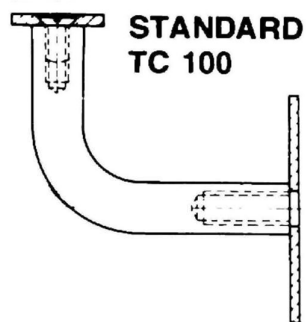
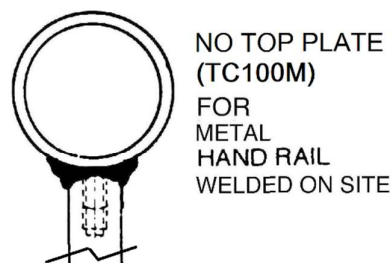
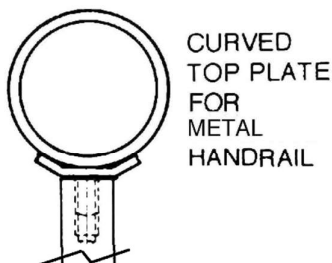
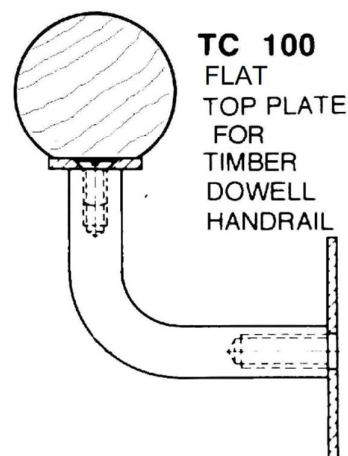
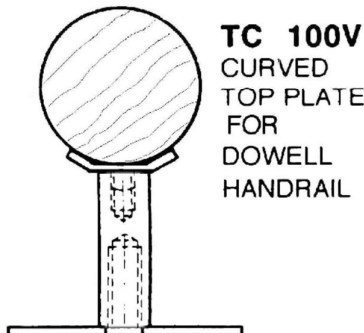
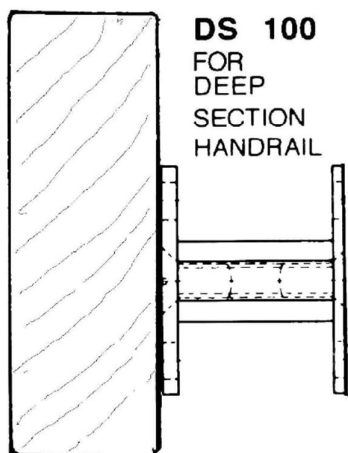
- CURVED TOP PLATES  
CTP30 - 30 to 40mm  
CTP50 - 40 to 50mm
- STANDARD THREAD  
3/8" BSW, M10 AVAILABLE  
IN SOME FINISHES

## **TC 100 V** VERTICAL HANDRAIL BRACKET



## **DS 100** DEEP SECTION GUARDRAIL BRACKET





**TIMBER / MASONRY FIXINGS**

- Due to possible differences in applications, the installer must make their own evaluation of the suitability and strength of the bracket for their specific application. Installation of handrails should be fitted in accordance with relevant local and state regulations.
- All brackets NOT listed as stainless steel are only suitable for indoor dry area use.
- Brackets listed as stainless steel contain components of both 303 and 304 grade stainless steel. The installer must make their own evaluation of the suitability and maintenance requirements of the bracket for their specific application. 303 and 304 grade stainless steel is not a marine grade stainless steel. For some further information on Stainless Steel and its use, please see <http://www.assda.asn.au/technical-info/technical-faqs>
- Matco Handrails gives a 12 (twelve) month Warranty against defective product, provided the product has not been misused, abused, damaged, altered, incorrectly installed, or where the incorrect strength / grade of steel is used.
- For further information, a full copy of our Warranty, and for our full terms and conditions which apply to the sale of all our products, please see [www.matco.com.au](http://www.matco.com.au)